

Invicta 3 JK11003S / JK11253S

Instruction leaflet for fitting an incomer isolator / switch

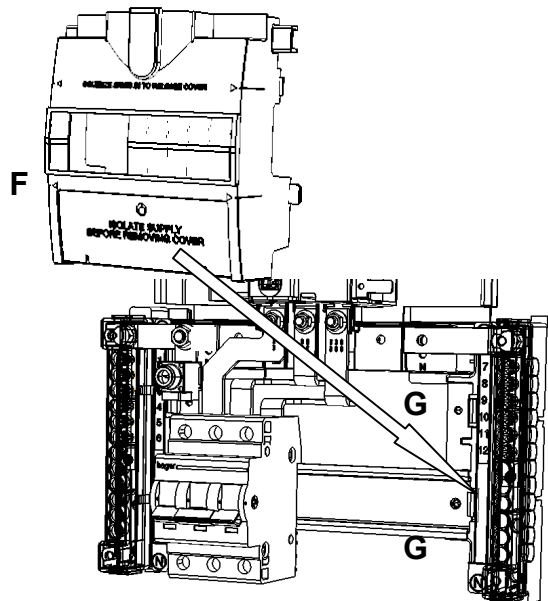
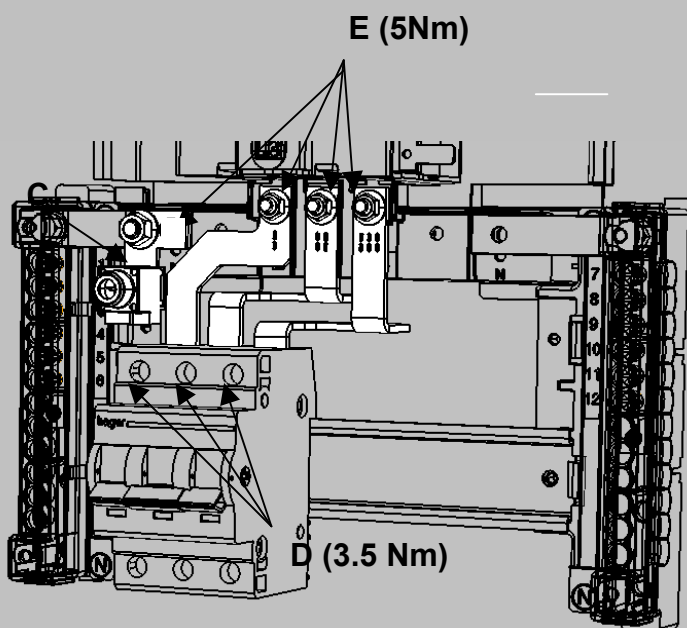
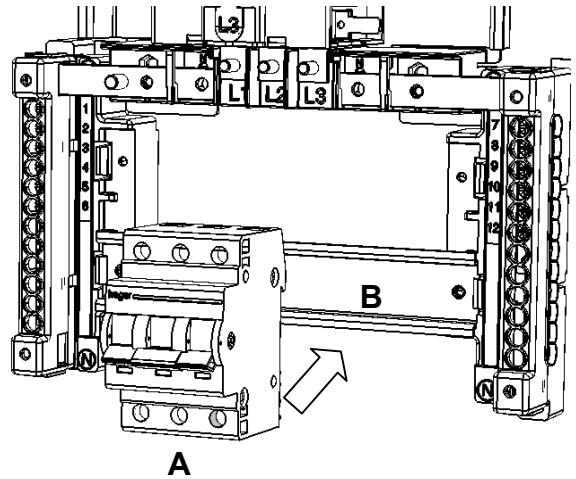
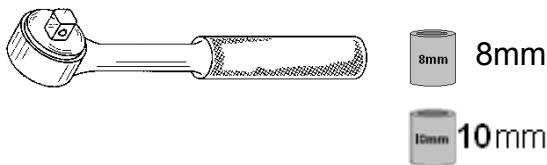
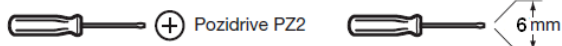
Locate the incomer switch (A) onto the left side of the DIN rail (B), and fit the L1, L2 and L3 incomer links. Ensure that the links teeth are within the top terminal of the incomer switch.

Ensure the caged neutral link (C) is secured to the neutral cross link using the M6 carp nut and tightened to **5Nm**. Use the M5 carp nuts for the phase connections and tightened to **5Nm**.

Ensure that all terminal connections on incomer switch (D) connections are tightened to **3.6Nm**.

Ensure the connections on the busbar links (E) are tightened to **5Nm** (3 x Phase and neutral)

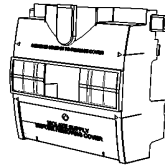
After terminating incoming cables fix the main incomer shroud (F) to the clip in fixing points (G).



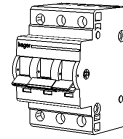
JK11003S
Invicta 3
Incomer isolator kit

Qty Description

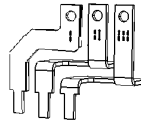
1 Terminal shield



1 100/125A 3P modular switch



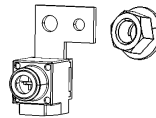
3 Incomer links



3 M5 carp nuts



1 Caged terminal & M6 carp nut



Hager Ltd
Hortonwood 50
Telford
Shropshire
TF1 7FT

National Sales Hotline 01952 675612
National Tech Support helpline 01952 675689

Website: www.hager.co.uk
Email us @: info@hager.co.uk

ZD0680 issue 12